



SUPER
Planters
lighting for Indoor and Outdoor

BARODA POLYFORM
QUALITY CUSTOM MOULDERS



SUPER

Super products for Superior living

A lifestyle and industrial products brand by Baroda Polyform

Corporate Office :

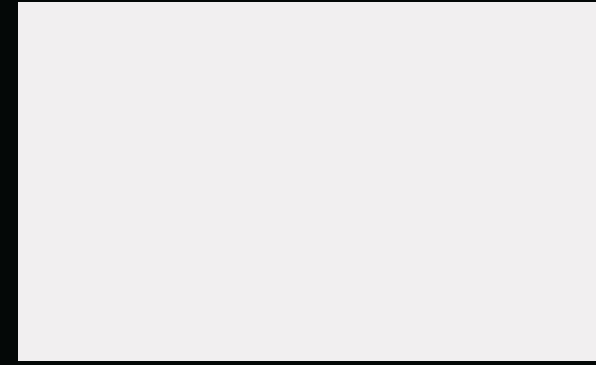
Baroda Polyform Pvt. Ltd.,
No.7, First Floor Panorama complex,
R.C. Dutt road, Alkapuri, Vadodara,
Gujarat, India.

Tel : 0091 265 3058114
0091 7600001874

Fax : 0091 265 2340172

Web : www.barodapolyform.com
Email : sales@barodapolyform.com

Distributors Seal :



For more information and creative ways of using Planters, please visit www.superplastics.in

www.barodapolyform.com

Quad Planter

Applying minimal geometrical forms and shapes Super planters, give you freedom to use these lighting and gardening products with any interior and outdoor design themes.

These products are excellent examples of design principles like minimalism and simplicity. Crafted with premium grade plastic, Super planters boast long lasting lives which extend beyond decades. Suitable for planting almost all kinds of plants and indoor and outdoor applications, these products are hand finished to devil's detail to give a phenomenal experience and richness to your interiors and landscaping.

Quad Planters from Super are added with translucency, to give a uniform lighting around the areas of applications.

These Quad Planters are available in various shapes and sizes, offered in multiple colours and lighting options as per your application needs.

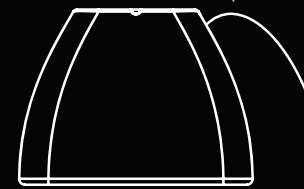
SIZES

ID.	MM.
G.1.A	400 X 300
G.1.B	600 X 450
G.1.C	800 X 600



Easily removable water proof bottom panel to access the light bulb.

Excess water outlet pipe, to provide optimum water for plant needs.

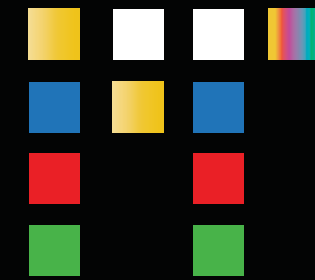


Features

- Food grade
- Easy maintenance
- Size options
- Durable body lasts for years
- UV treated for outdoors
- Concealed water outlets for indoors
- Available in various colours
- 3 years limited warranty pro rata
- 100 % Recyclable product

Lighting options

Bulb | CFL | LED | RGB lighting

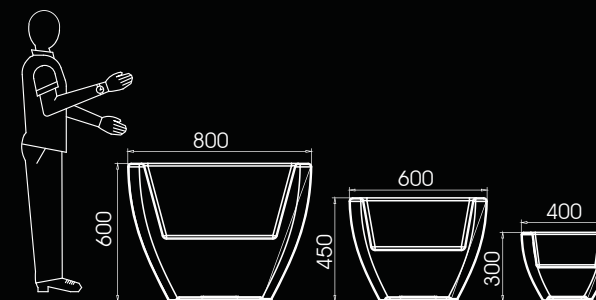


Body Colour options

Red | Green | Yellow | Blue | Orange



White



Dimensions in mm.



Circum Planter

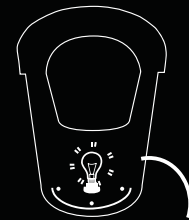
Circum Planter are wider with larger base and body which makes them best suited for outdoors application. Giving them a robust look and form, we have made these pots very symmetrical to give a uniform sight from all points of perception.

Crafted to perfection Circum Planter is a contemporary product design extending the forms and shapes of classic design of a gardening pot. Built from premium food grade plastics, Circum Planter's body is added with translucency, to give a uniform lighting around the areas of applications.

These Circum Planter are available in various shapes and sizes, offered in multiple colours and lighting options as per your application needs.

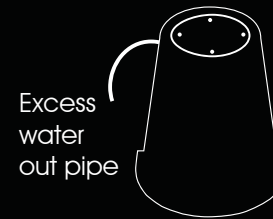
SIZES

ID.	MM.
G.3.A	435 X 400
G.3.B	675 X 600
G.3.C	980 X 900
G.3.D	1275 X 1200



Bottom lid with installed bulb

Easy to open bottom lid



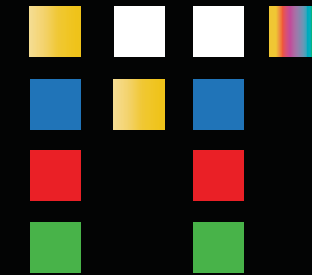
Excess water out pipe

Features

- Food grade
- Easy maintenance
- Size options
- Durable body lasts for years
- UV treated for outdoors
- Concealed water outlets for indoors
- Available in various colours
- 3 years limited warranty pro rata
- 100 % Recyclable product

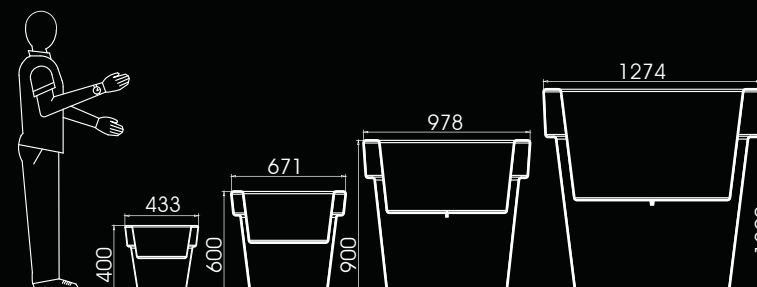
Lighting options

Bulb | CFL | LED | RGB lighting



Body Colour options

Red | Green | Yellow | Blue | Orange | White



Dimensions in mm.



Slim Line Planter

Slim Line planters have been designed to give a phenomenal experience and uniform sight of the product from all possible points of perception. Unlike the Square Pots, these Slim and Fat Pots have a very minimal form inspired from the traditional design of gardening pots. It's a new perception and value addition to the product which had been here since generations.

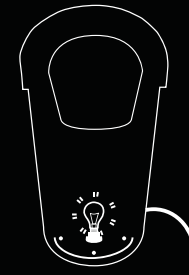
Finished to perfection the Slim Line planter is a product which doesn't fight for its existence for not being contemporary but being a classic, revived to make it more acceptable to your design themes of interior and outdoor applications.

Slim Line planter from Super are very symmetrically shaped and added with translucency, to give a uniform lighting around the areas of applications.

These Slim Line planter are available in various shapes and sizes, offered in multiple colours and lighting options as per your application needs.

SIZES

ID.	MM.
G.4.A	430 X 600
G.4.B	600 X 900
G.4.C	900 X 1200



Bottom lid with installed bulb

Easy to open bottom lid



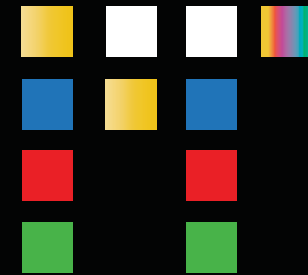
Excess water out pipe

Features

- Food grade
- Easy maintenance
- Size options
- Durable body lasts for years
- UV treated for outdoors
- Concealed water outlets for indoors
- Available in various colours
- 3 years limited warranty pro rata
- 100 % Recyclable product

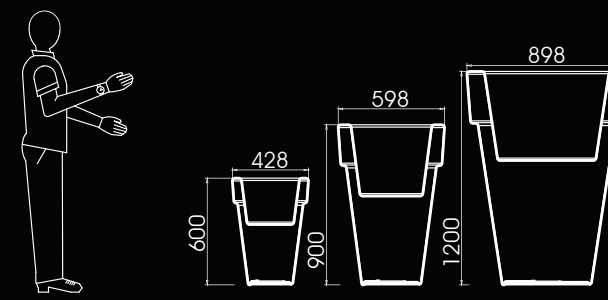
Lighting options

Bulb | CFL | LED | RGB lighting



Body Colour options

Red | Green | Yellow | Blue | Orange | White



Dimensions in mm.

